



Plug & Play power variation

Acoustic level of the SILENSYS®

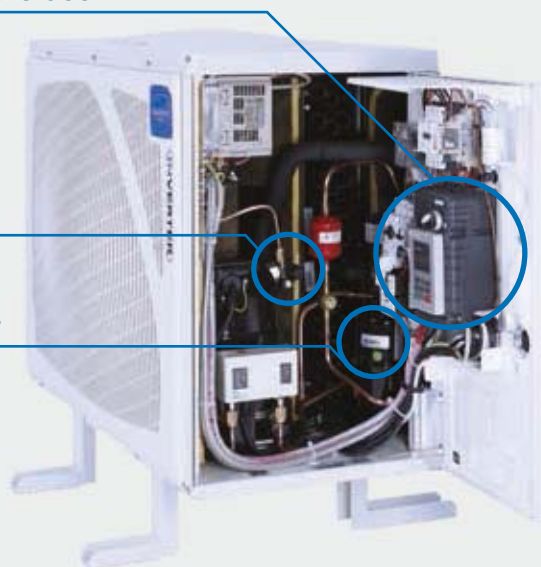
REGULATION OF THE REFRIGERATING SYSTEM:

- ▶ Dual control, inverter/pressure-actuated mode, ensuring continuity of the cold without additional wiring
- ▶ Variation of capacity thanks to a frequency variator
- ▶ Supply of 2 or 3 evaporators
- ▶ Energy efficiency: the capacity variation permits balanced energy and optimum efficiency: reduction of power consumption by up to 25%
- ▶ Precise regulation ensuring better temperature and humidity control

Controller and other electrical components grouped together on the door

Cabled transducer

Fan speed controller





INVERTER

SILENSYS[®] INVERTER

MHBP

R452A

Silensys® Inverter

MODEL NUMBER	Freq.	REFRIGERATION OUTPUT 32° amb., 10K superheating, 3K subcooling, Mid/Mid Evaporation temperature (°C):							REFRIG. OUTPUT EN13215 Evap. T -35°C		Acc. P db(A)	Air flow m ³ /h	Liq. Rec. Vol.	Diam. for tubing O.D.		Net/ Gross weight kg	No. Dim	Max. current according to voltage code
		-25°	-15°	-10°	-5°	0°	5°	15°	Perf. (W)	COP (W/W)				Suc.	Liqu. Line			TZ
		SILAJV9513Z	60 30	986 514	1724 899	2176 1135	2688 1402	3261 1702	3901 2035	5308 2818				2429	2.00			26
SILAJV4517Z	60 30	1061 583	1871 1049	2336 1326	2848 1636	3413 1982	4042 2370	5697 3294	2459	1.86	27	1650	2.35	5/8"	3/8"	92/110	S	5.1
SILFHV4524Z	60 30	1457 800	2717 1524	3458 1968	4280 2468	5191 3025	6199 3639	8808 5060	3624	1.80	35	2700	2.35	5/8"	1/2"	74/95	M	9.1
SILFHV4531Z	60 30	1982 1097	3499 1985	4353 2512	5294 3100	6342 3755	7521 4485	10701 6214	4599	1.82	45	2700	3.90	7/8"	1/2"	78/93	M	10.4
SILFHV4540Z	60 30	2680 1489	4573 2612	5627 3265	6752 3985	7951 4776	9230 5646	12442 7675	5964	1.75*	40	2700	6.00	7/8"	1/2"	101/116	M	14.1
SILAGV4546Z	60 30	2568 1412	4798 2708	6112 3508	7558 4412	9142 5426	10872 6555	15284 9213	6403	1.83*	46	5940	6.00	7/8"	1/2"	133/148	L	14.6
SILAGV4553Z	60 30	3098 1706	5698 3219	7212 4142	8875 5182	10694 6343	12684 7635	17773 10665	7544	1.90*	47	5940	6.00	7/8"	5/8"	150/166	L	16.4
SILAGV4568Z	60 30	4407 2447	7529 4294	9328 5416	11302 6678	13470 8093	15858 9673	22079 13424	9842	2.01*	43	5940	6.00	1"1/8	5/8"	133/148	L	20.2
SILSHV4610V	60 30	8936 4964	13816 7676	16615 9231	19747 10970	23866 13259	25428 14126	na	18252	2.45*	na	5000	12.00	1"3/8	7/8"	260/280	XL	20.0

Statement of the seasonal COP / na: not applicable

For information, the cooling capacity of fluids R449A and R448A: at the evaporation point To = -30°C, SH10K, apply the multiplier ratio 0.94 to the cooling capacities read with R404A.

MHBP

R404A

Silensys® Inverter

MODEL NUMBER	Freq.	REFRIGERATION OUTPUT 32° amb., 10K superheating, 3K subcooling Evaporation temperature (°C):							REFRIG. OUTPUT EN13215 Evap. T -10°C		Acc. P db(A)	Air flow m ³ /h	Liq. Rec. Vol.	Diam. for tubing O.D.		Net/ Gross weight kg	No. Dim	Max. current according to voltage code
		-25°	-15°	-10°	-5°	0°	5°	15°	Perf. (W)	COP (W/W)				Suc.	Liqu. Line			TZ
		SILAJV9513Z	60 30	959 524	1676 931	2107 1184	2591 1472	3129 1797	3728 2162	5141 2973				2312	1.77			26
SILAJV4517Z	60 30	1146 629	1940 1083	2405 1358	2924 1668	3504 2016	4156 2404	5728 3264	2648	1.61	27	1650	2.35	5/8"	3/8"	92/110	S	5.1
SILFHV4524Z	60 30	1485 815	2705 1511	3427 1943	4233 2431	5127 2975	6122 3578	8474 4883	3787	1.59	35	2700	2.35	5/8"	1/2"	74/95	M	9.1
SILFHV4531Z	60 30	2031 1126	3493 1975	4326 2487	5246 3059	6271 3697	7424 4406	10236 5961	4795	1.61	45	2700	3.90	7/8"	1/2"	78/93	M	10.3
SILFHV4540Z	60 30	2717 1506	4539 2582	5574 3220	6684 3925	7868 4698	9126 5541	11915 7329	6182	1.72	40	2700	3.90	7/8"	1/2"	95/116	M	10.4
SILAGV4546Z	60 30	2654 1458	4846 2723	6159 3518	7607 4417	9187 5421	10899 6529	14774 8916	6804	2.46*	46	5940	6.00	7/8"	1/2"	133/148	L	14.6
SILAGV4553Z	60 30	3203 1762	5731 3223	7239 4138	8907 5174	10735 6331	12732 7613	17309 10390	7981	2.57*	47	5940	6.00	7/8"	5/8"	150/166	L	16.4
SILAGV4568Z	60 30	4768 2657	7516 4278	9229 5347	11152 6573	13274 7947	15590 9462	20845 12671	10214	2.77*	43	5940	6.00	1"1/8	5/8"	133/148	L	20.2
SILSHV4610Z	60 30	9469 5214	14769 8409	17352 10342	19899 12510	22425 14919	24953 17580	na 23262	18303	3.63*	na	5000	12.00	1"3/8	7/8"	260/281	XL	20.0

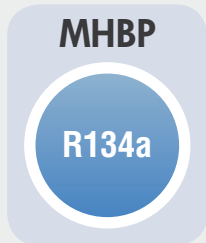
Statement of the seasonal COP / na: not applicable



Silensys® Inverter

MODEL NUMBER	Freq.	REFRIGERATION OUTPUT 32° amb., 10K superheating, 3K subcooling							REFRIG. OUTPUT EN13215 Evap. T -10°C		Aco. P db(A)	Air flow m3/h	Liq. Rec. Vol.	Diam. for tubing O.D.		Net/ Gross weight kg	No. Dim	Max. current according to voltage code
		Evaporation temperature (°C):							Perf. (W)	COP (W/W)				Suc.	Liqu. Line			
		-15°	-10°	-5°	0°	5°	10°	15°										
SILAJV4492Y	60	1095	1438	1825	2258	2743	3285	3886	1557	1.92	26	1650	1.50	1/2"	3/8"	90/107	S	3.1
	30	592	781	999	1246	1529	1850	2213	844	2.12								
SILAJV4511Y	60	1435	1819	2252	2734	3273	3870	4527	1974	1.74	27	1650	1.50	5/8"	3/8"	91/108	S	4.2
	30	784	1002	1253	1536	1856	2218	2621	1084	1.99								
SILFHV4518Y	60	2063	2641	3321	4113	5030	6088	7299	2867	1.77	33	2700	2.35	5/8"	3/8"	85/106	M	5.8
	30	1127	1458	1850	2311	2849	3470	4180	1575	1.98								
SILFHV4525Y	60	2822	3530	4329	5227	6241	7386	8678	3846	2.11	40	2700	2.35	5/8"	3/8"	71/92	M	8.5
	30	1559	1972	2446	2986	3603	4304	5099	2137	2.41								
SILAGV4534Y	60	3236	4364	5691	7178	8792	10502	12263	4738	2.01	40	2970	3.90	7/8"	1/2"	82/103	M	11.1
	30	1757	2393	3154	4023	4988	6031	7134	2588	2.36								
SILAGV4543Y	60	4030	5279	6829	8626	10630	12795	15068	5729	3.13*	40	2700	3.90	7/8"	1/2"	85/106	M	11.3
	30	2191	2897	3788	4842	6041	7366	8792	3133									

Statement of the seasonal COP

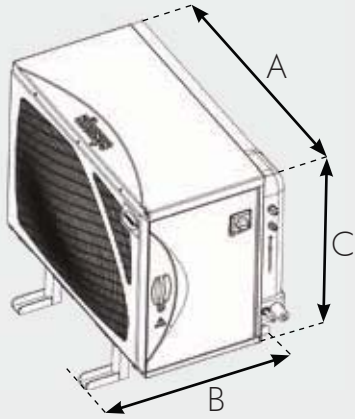


Silensys® Inverter

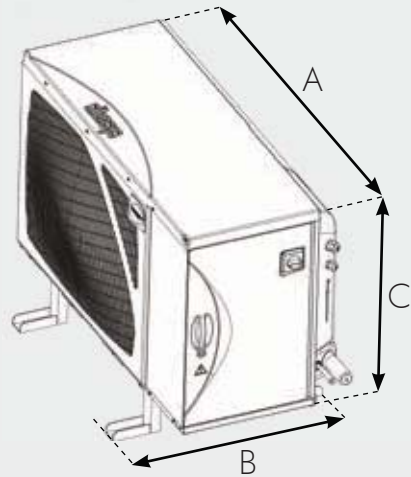
MODEL NUMBER	Freq.	PRODUCTION FRIGORIFIQUE 32° amb., 10K surchauffe, 3K sous-ref.							REFRIG. OUTPUT EN13215 Evap. T -10°C		Aco. P db(A)	Air flow m3/h	Liq. Rec. Vol.	Diam. for tubing O.D.		Net/ Gross weight kg	No. Dim	Max. current according to voltage code
		Température d'évaporation (°C) :							Perf. (W)	COP (W/W)				Suc.	Liqu. Line			
		-15°	-10°	-5°	0°	5°	10°	15°										
SILAJV4492Y	60	1015	1359	1747	2182	2666	3204	3798	1454	1.91	26	1650	1.50	1/2"	3/8"	90/107	S	3.1
	30	549	738	956	1204	1486	1804	2163	788	2.11								
SILAJV4511Y	60	1331	1719	2155	2642	3181	3774	4425	1843	1.73	27	1650	1.50	5/8"	3/8"	91/108	S	4.2
	30	727	947	1199	1484	1804	2163	2562	1012	1.98								
SILFHV4518Y	60	1913	2495	3179	3974	4889	5938	7134	2677	1.76	33	2700	2.35	5/8"	3/8"	85/106	M	5.8
	30	1045	1377	1771	2233	2769	3384	4086	1471	1.97								
SILFHV4525Y	60	2617	3335	4143	5050	6066	7204	8482	3591	2.10	40	2700	2.35	5/8"	3/8"	71/92	M	8.5
	30	1446	1863	2341	2885	3502	4198	4984	1995	2.40								
SILAGV4534Y	60	3001	4123	5447	6935	8546	10243	11986	4424	2.00	40	2970	3.90	7/8"	1/2"	82/103	M	11.1
	30	1629	2261	3019	3887	4848	5882	6973	2417	2.35								
SILAGV4543Y	60	3737	4987	6536	8334	10332	12479	14728	5349	3.11	40	2700	3.90	7/8"	1/2"	85/106	M	11.3
	30	2032	2737	3626	4678	5872	7184	8593	2925									

DIMENSIONS

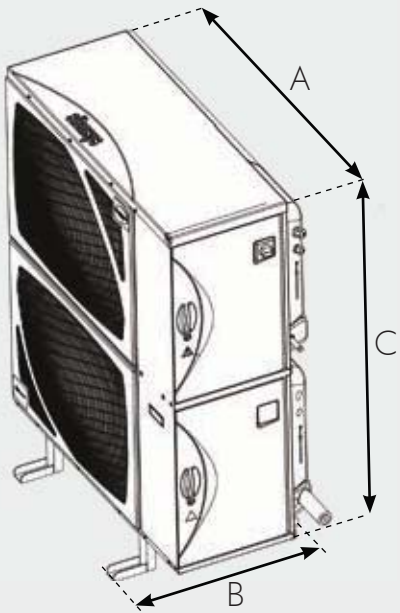
Silensys® Inverter



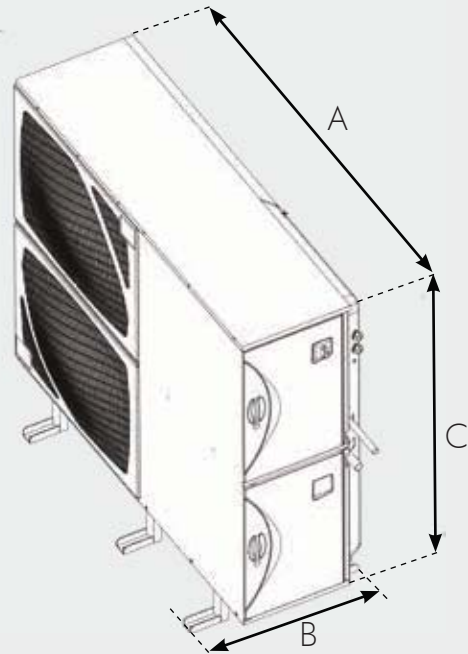
SIZE S



SIZE M



SIZE L



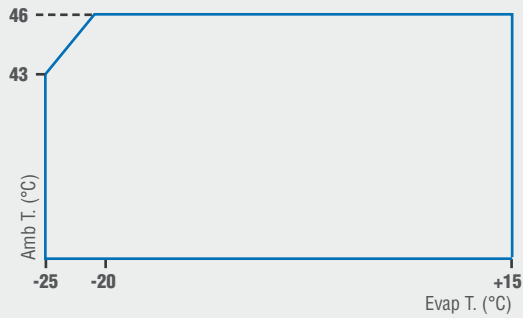
SIZE XL

		A	B	C
	S	942	654	837
	M	1174	654	837
	L	1209	654	1465
	XL	1666	654	1457

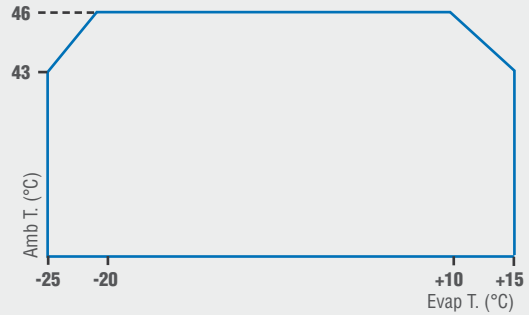
APPLICATION WINDOWS

MHBP R452A R404A

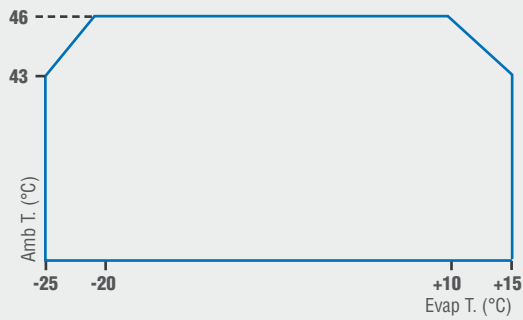
MHBP R134a R513A



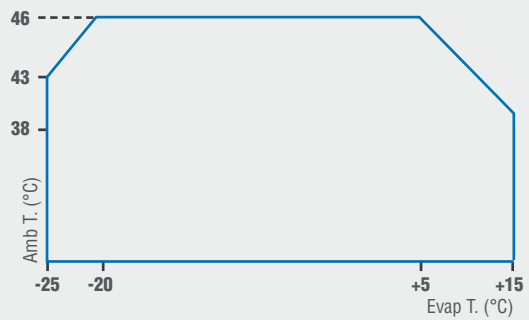
MODEL NUMBER
SIL AJV 4517 Z



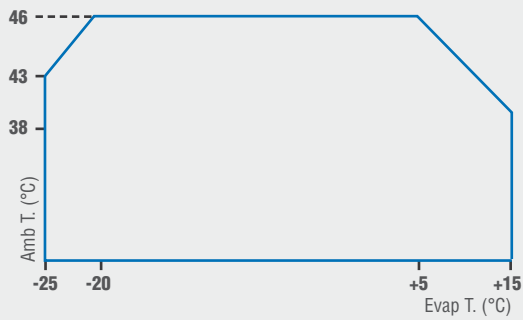
MODEL NUMBER
SIL AJV 4492 Y
SIL AGV 4543 Y



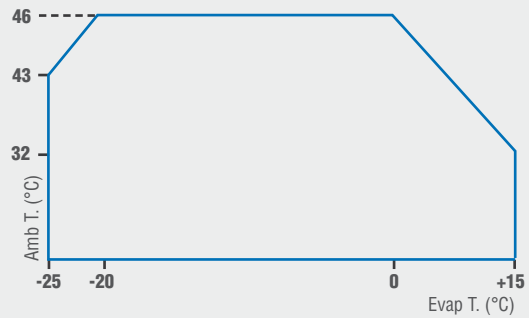
MODEL NUMBER
SIL AJV 9513 Z
SIL AGV 4553 Z



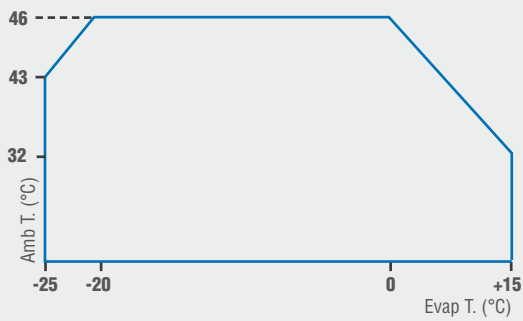
MODEL NUMBER
SIL AJV 4511 Y
SIL FHV 4518 Y
SIL AGV 4534 Y



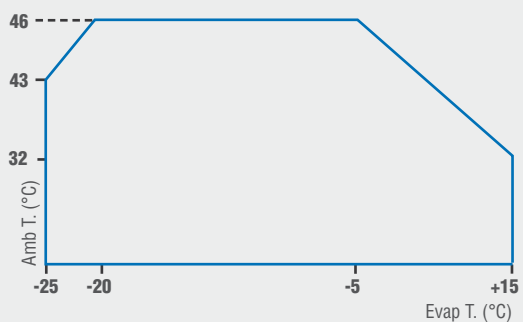
MODEL NUMBER
SIL FHV 4524 Z
SIL FHV 4531 Z
SIL AGV 4546 Z
SIL AGV 4568 Z



MODEL NUMBER
SIL FHV 4525 Y



MODEL NUMBER
SIL FHV 4540 Z



MODÈLE
SIL SHV 4610 Z

RACK TRIO-QUATTRO 64

INFINEE® 66

