

# CHEMISAFE®

SAFETY STORAGE CABINETS

## COMBISTORAGE

COMBINED SAFETY STORAGE CABINETS  
CERTIFIED FOR HAZARDOUS PRODUCTS



# COMBISTORAGE

## COMBINED SAFETY STORAGE CABINETS CERTIFIED FOR HAZARDOUS PRODUCTS.

The answer to properly store and use hazardous products directly in laboratory.



### COMBISTORAGE FIRE TYPE 90



Completely manufactured from 1; 1,5; 2 mm thickness steel sheet, cold pressed, epoxy coated with acid resistant epoxy powders electro-statically applied at a temperature of 200 °C, which ensures a layer thickness higher than 90 microns on the whole surface of the cabinet. Special insulation with rock-wool fiber high density panels 300 kg/m<sup>3</sup> (Fiberceramic exempt) resistant to high temperatures (800 °C) and panels of calcium sulphate.

Internal finishing with MFC panels, resistant to acid and corrosive vapours.

**Certification TYPE 90 as from last EN 14470-1 NORM and EN 14727.**

#### Standard:

- Automatic door closure in case the ambient temperature exceeds 47 °C.
- Lock with key and door blockage.
- Feet adjustment level.
- 90 minutes certified valves close the ventilation holes when the temperature exceeds 70 °C; one is placed on the rear for extraction.
- Air extraction duct collar 100 mm diam.
- Anti-sparking hinges.
- 3 cm thermo-expanding gasket (DIN 1402).
- **Grounding connection to prevent electrostatic charges.**



### COMBISTORAGE CHEMICALS



Completely manufactured from 1; 1,5; 2 mm thickness steel sheet, cold pressed, epoxy coated with acid resistant epoxy powders electro-statically applied at a temperature of 200 °C, which ensures a layer thickness higher than 90 microns on the whole surface of the cabinet.

Internal finishing with MFC panels, WATERPROOF resistant to acid and corrosive vapours.

**Certification as from last NORME EN 14727 and EN 61010.**

#### Standard:

- Lock with key and door blockage.
- Feet adjustment level.
- Air extraction duct collar 100 mm diam.
- Anti-sparking hinges.
- **Grounding connection to prevent electrostatic charges.**



## COMBISTORAGE UNDERBENCH / 620 H / 720 H



To optimize spaces in laboratory.  
Simply replacing the underbench standard  
wooden or metal cabinets,  
with our combined safety cabinets.



## COMBISTORAGE 2, 3, 4 COMPARTMENTS



To safely group all hazardous products in laboratory.



## COMBISTORAGE UNDERBENCH / 620 H / 720 H



Numberless options for dimensions and typologies and hazardousness:

INFLAMMABLES, ACIDS and BASES.

If ventilation is needed a vent is on the back wall for easy connection.

Safety underbench cabinets shall be with two different heights:

**620** mm

**720** mm

+ possible plinth

H **80** mm



**CS714AS** (395 x 520 x 720 mm)  
+ **CSF710** (990 x 520 x 720 mm)



**CSFZ120** (plinth 1200 x 500 x 80 mm)  
+ **CS716BS** (595 x 520 x 720) + **CSF706D** (595 x 520 x 720 mm)













**CSFZ150** (plinth 1500 x 500 x 80 mm)  
+ **CS715AC** (495 x 520 x 720) + **CSF706C** (595 x 520 x 720 mm)  
+ **CS714BC** (395 x 520 x 720)



**CSFZ100** (plinth 1000 x 500 x 80 mm) + **CSF610** (990 x 520 x 620 mm)

## COMBISTORAGE FLAMMABLES UNDERBENCH TYPE 90 / 620 H / 720 H



OPENING AND HINGE	CODE FLAM. TYPE 90	EXTERNAL DIMENSIONS L x P x H mm	INTERNAL DIMENSIONS L x P x H mm	CAPACITY BOTTLES 1 LITER FOR CABINET	WEIGHT Kg
500 - RIGHT 	CSF605D	495 x 520 x <b>620</b>	383 x 349 x 493	12	73
	CSF705D	495 x 520 x <b>720</b>	383 x 349 x 593	12	78
500 - LEFT 	CSF605S	495 x 520 x <b>620</b>	383 x 349 x 493	12	73
	CSF705S	495 x 520 x <b>720</b>	383 x 349 x 593	12	78
500 - DRAWER 	CSF605C	495 x 520 x <b>620</b>	383 x 349 x 493	12	73
	CSF705C	495 x 520 x <b>720</b>	383 x 349 x 593	12	78
600 - RIGHT 	CSF606D	595 x 520 x <b>620</b>	483 x 349 x 493	15	82
	CSF706D	595 x 520 x <b>720</b>	483 x 349 x 593	15	87
600 - LEFT 	CSF606S	595 x 520 x <b>620</b>	483 x 349 x 493	15	82
	CSF706S	595 x 520 x <b>720</b>	483 x 349 x 593	15	87
600 - DRAWER 	CSF606C	595 x 520 x <b>620</b>	483 x 349 x 493	15	82
	CSF706C	595 x 520 x <b>720</b>	483 x 349 x 593	15	87
1000 - 2 DOORS 	CSF610	990 x 520 x <b>620</b>	878 x 349 x 493	27	118
	CSF710	990 x 520 x <b>720</b>	878 x 349 x 593	27	125
1000 - DRAWER 	CSF610C	990 x 520 x <b>620</b>	878 x 349 x 493	27	118
	CSF710C	990 x 520 x <b>720</b>	878 x 349 x 593	27	125
1100 - 2 DOORS 	CSF611	1090 x 520 x <b>620</b>	978 x 349 x 493	30	134
	CSF711	1090 x 520 x <b>720</b>	978 x 349 x 593	30	139
1100 - DRAWER 	CSF611C	1090 x 520 x <b>620</b>	978 x 349 x 493	30	134
	CSF711C	1090 x 520 x <b>720</b>	978 x 349 x 593	30	139

Add plinth if necessary.

Safety underbench cabinets shall be combined on plinths with different lengths.

CODE PLINTH	DIMENSIONS L x P x H mm
CSFZ40	400 x 500 x 80
CSFZ50	500 x 500 x 80
CSFZ60	600 x 500 x 80
CSFZ70	700 x 500 x 80
CSFZ80	800 x 500 x 80
CSFZ90	900 x 500 x 80
CSFZ100	1000 x 500 x 80
CSFZ110	1100 x 500 x 80
CSFZ120	1200 x 500 x 80
CSFZ130	1300 x 500 x 80
CSFZ140	1400 x 500 x 80
CSFZ150	1500 x 500 x 80
CSFZ160	1600 x 500 x 80
CSFZ170	1700 x 500 x 80
CSFZ180	1800 x 500 x 80



Powder coated metal bottom sump with steel grid.

CODE	FLAMMABLES SHELVES UNDERBENCH	EXTERNAL DIMENSIONS L x P x H mm
RIPF50V	Powder coated metal shelf for FLAMMABLES 500	380 x 330 x 30
RIPF60V	Powder coated metal shelf for FLAMMABLES 600	480 x 330 x 30
RIPF100V	Powder coated metal shelf for FLAMMABLES 1000	875 x 330 x 30
RIPF110V	Powder coated metal shelf for FLAMMABLES 1100	975 x 330 x 30

Standard colour: Grey RAL 7035. Add "Y" to the code for yellow RAL 1021 safety cabinet.

If stainless steel "I" instead of "V".

## COMBISTORAGE CHEMICALS UNDERBENCH / 620 H / 720 H



Add plinth if necessary.

OPENING AND HINGE	CODE ACIDS	CODE BASES	EXTERNAL DIMENSIONS L x P x H mm	INTERNAL DIMENSIONS L x P x H mm	CAPACITY BOTTLES 1 LITER FOR CABINET	WEIGHT Kg
400 - RIGHT 	CS140AD	CS140BD	395 x 520 x 620	330 x 430 x 530	18	51
	CS714AD	CS714BD	395 x 520 x 720	330 x 430 x 630	18	54
400 - LEFT 	CS140AS	CS140BS	395 x 520 x 620	330 x 430 x 530	18	51
	CS714AS	CS714BS	395 x 520 x 720	330 x 430 x 630	18	54
400 - DRAWER 	CS140AC	CS140BC	395 x 520 x 620	330 x 430 x 530	9	51
	CS714AC	CS714BC	395 x 520 x 720	330 x 430 x 630	9	54
500 - RIGHT 	CS150AD	CS150BD	495 x 520 x 620	430 x 430 x 530	24	53
	CS715AD	CS715BD	495 x 520 x 720	430 x 430 x 630	24	56
500 - LEFT 	CS150AS	CS150BS	495 x 520 x 620	430 x 430 x 530	24	53
	CS715AS	CS715BS	495 x 520 x 720	430 x 430 x 630	24	56
500 - DRAWER 	CS150AC	CS150BC	495 x 520 x 620	430 x 430 x 530	12	53
	CS715AC	CS715BC	495 x 520 x 720	430 x 430 x 630	12	56
600 - RIGHT 	CS160AD	CS160BD	595 x 520 x 620	530 x 430 x 530	30	55
	CS716AD	CS716BD	595 x 520 x 720	530 x 430 x 630	30	58
600 - LEFT 	CS160AS	CS160BS	595 x 520 x 620	530 x 430 x 530	30	55
	CS716AS	CS716BS	595 x 520 x 720	530 x 430 x 630	30	58
600 - DRAWER 	CS160AC	CS160BC	595 x 520 x 620	530 x 430 x 530	15	55
	CS716AC	CS716BC	595 x 520 x 720	530 x 430 x 630	15	58



CODE	ACIDS SHELVES UNDERBENCH	EXTERNAL DIMENSIONS L x P x H mm
RIPCS140V	Powder coated metal shelf for ACIDS 400	325 x 420 x 30
RIPCS150V	Powder coated metal shelf for ACIDS 500	452 x 420 x 30
RIPCS160V	Powder coated metal shelf for ACIDS 600	525 x 420 x 30
RIPCS100V	Powder coated metal shelf for ACIDS 1000	385 x 420 x 30
RIPCS110V	Powder coated metal shelf for ACIDS 1100	485 x 420 x 30



CS716AD

Standard colour: Grey RAL 7035. Add "Y" to the code for yellow RAL 1021 safety cabinet.

## COMBISTORAGE CHEMICAL UNDERBENCH / 620 H / 720 H



Add plinth if necessary.

OPENING AND HINGE	CODE ACIDS + BASES	EXTERNAL DIMENSIONS L x P x H mm	INTERNAL DIMENSIONS L x P x H mm	CAPACITY BOTTLES 1 LITER FOR CABINET	WEIGHT Kg
1000 - 2 DOORS 	<b>CS100AB</b>	990 x 520 x <b>620</b>	450 + 450 x 430 x 530	18 + 18	104
	<b>CS710AB</b>	990 x 520 x <b>720</b>	450 + 450 x 430 x 630	18 + 18	110
1000 - DRAWER 	<b>CS100CAB</b>	990 x 520 x <b>620</b>	450 + 450 x 430 x 530	9 + 9	104
	<b>CS710CAB</b>	990 x 520 x <b>720</b>	450 + 450 x 430 x 630	9 + 9	110
1100 - 2 DOORS 	<b>CS110AB</b>	1090 x 520 x <b>620</b>	490 + 490 x 430 x 530	24 + 24	104
	<b>CS711AB</b>	1090 x 520 x <b>720</b>	490 + 490 x 430 x 630	24 + 24	114
1100 - DRAWER 	<b>CS110CAB</b>	1090 x 520 x <b>620</b>	490 + 490 x 430 x 530	12 + 12	104
	<b>CS711CAB</b>	1090 x 520 x <b>720</b>	490 + 490 x 430 x 630	12 + 12	114

CODE	BASES SHELVES UNDERBENCH	EXTERNAL DIMENSIONS L x P x H mm
<b>RIPCS140I</b>	Stainless steel shelf for BASES 400	325 x 420 x 30
<b>RIPCS150I</b>	Stainless steel shelf for BASES 500	452 x 420 x 30
<b>RIPCS160I</b>	Stainless steel shelf for BASES 600	525 x 420 x 30
<b>RIPCS100I</b>	Stainless steel shelf for BASES 1000	385 x 420 x 30
<b>RIPCS110I</b>	Stainless steel shelf for BASES 1100	485 x 420 x 30

Standard colour: Grey RAL 7035. Add "Y" to the code for yellow RAL 1021 safety cabinet.



**CS710CAB**



**CS711AB**



**CSFZ160** (plinth 1600 x 500 x 80 mm)  
+ **CS716BS** (495 x 520 x **720**) + **CS160AC** (495 x 520 x **620** mm)  
+ **CSF705D** (595 x 520 x **720** mm)



Double tightness: prevents the leak of vapours and the entrance of warm air inside in case of fire.



Level adjustment.

## COMBISTORAGE 2



Combined safety cabinets certified for the storage of FLAMMABLE products, CHEMICALS, ACIDS and BASES.



CS260



CS360



CS360C

CODE	COMBISTORAGE 2 ( SHELVES )	EXTERNAL DIMENSIONS - L x P x H mm
<b>RIPCS260V</b>	Powder coated metal shelf for ACIDS 60	525 x 420 x 30
<b>RIPCS260I</b>	Stainless steel shelf for BASES 60	525 x 420 x 30
<b>RIPF60I</b>	Stainless steel shelf for FLAMMABLES 60	480 x 330 x 30

CODE	DESCRIPTION	EXTERNAL DIMENSIONS L x P x H mm	INTERNAL DIMENSIONS L x P x H mm	SHELVES - QUANTITY AND FINISH	WEIGHT Kg
<b>CS260</b>	Combistorage 2 compartments WITHOUT SUCTION: ACIDS / BASES ( door ) + FLAMMABLES TYPE 90 ( door )	595 x 600 x 1600	530 x 430 x 630 ACIDS / BASES + 483 x 349 x 593 FLAMMABLES	ACIDS & BASES: 1 powder coated metal shelf + 1 stainless steel shelf FLAMMABLES: bottom sump with steel grid	145
<b>CS260C</b>	Combistorage 2 compartments WITHOUT SUCTION: ACIDS / BASES ( door ) + FLAMMABLES TYPE 90 ( drawer )	595 x 600 x 1600	530 x 430 x 630 ACIDS / BASES + 483 x 349 x 593 FLAMMABLES	ACIDS & BASES: 1 powder coated metal shelf + 1 stainless steel shelf FLAMMABLES: bottom sump with steel grid	145
<b>CS360</b>	Combistorage 2 compartments WITH SUCTION: ACIDS / BASES ( door ) + FLAMMABLES TYPE 90 ( door )	595 x 600 x 2000	530 x 430 x 630 ACIDS / BASES + 483 x 349 x 593 FLAMMABLES	ACIDS & BASES: 1 powder coated metal shelf + 1 stainless steel shelf FLAMMABLES: bottom sump with steel grid	170
<b>CS360C</b>	Combistorage 2 compartments WITH SUCTION: ACIDS / BASES ( door ) + FLAMMABLES TYPE 90 ( drawer )	595 x 600 x 2000	530 x 430 x 630 ACIDS / BASES + 483 x 349 x 593 FLAMMABLES	ACIDS & BASES: 1 powder coated metal shelf + 1 stainless steel shelf FLAMMABLES: bottom sump with steel grid	170

Standard colour: Grey RAL 7035. Add "Y" to the code for yellow RAL 1021 safety cabinet.



## COMBISTORAGE 3

Combined safety cabinet certified for the storage of FLAMMABLE products, CHEMICALS, ACIDS and BASES.



CS343MY11

CODE	COMBISTORAGE 3 e 4 SHELVES	EXTERNAL DIMENSIONS - L x P x H mm
<b>RIP60VMY11</b>	Powder coated metal shelf for FLAMMABLES 60	490 x 420 x 30
<b>RIP60MY11</b>	Stainless steel shelf for FLAMMABLES 60	490 x 420 x 30
<b>RIPCS60</b>	Powder coated metal shelf for ACIDS / TOXICS	550 x 480 x 30
<b>RIPX60</b>	Stainless steel shelf for BASES	550 x 480 x 30



CS342MY11



CS344MY11

## COMBISTORAGE 4

Combined safety cabinets with solid and glass doors certified for the storage of FLAMMABLE products, CHEMICALS, ACIDS, BASES and TOXICS.



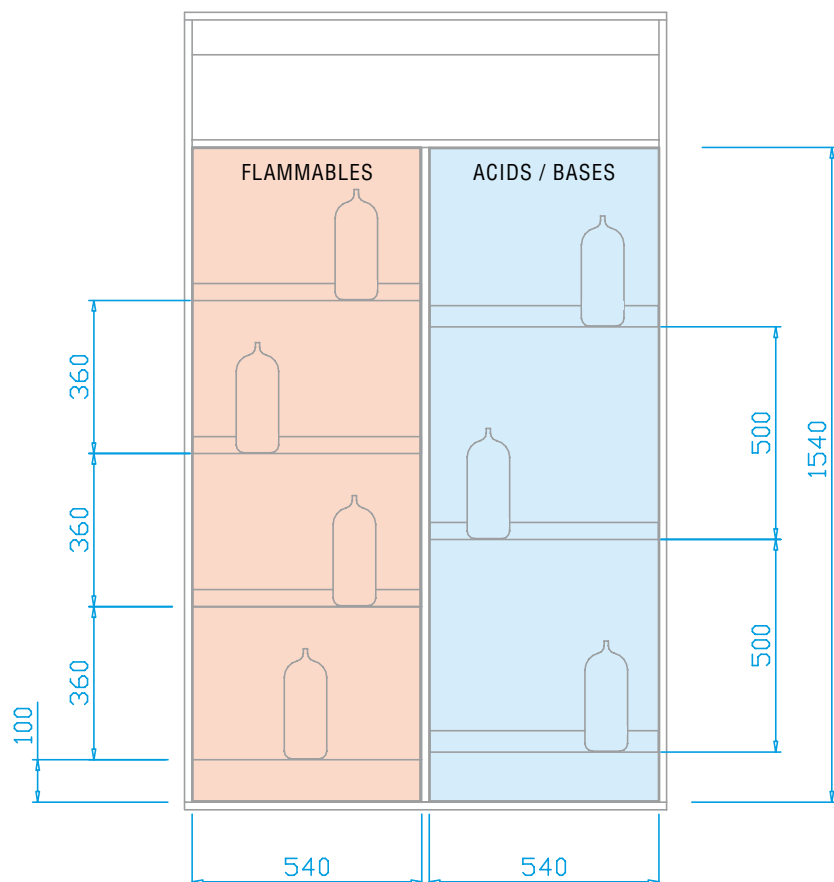
CODE	DESCRIPTION	EXTERNAL DIMENSIONS L x P x H mm	INTERNAL DIMENSIONS L x P x H mm	SHELVES - QUANTITY AND FINISH	WEIGHT Kg
<b>CS343MY11</b>	COMBISTORAGE 3 solid doors compartments	1200 x 600 x 1950	496 x 446 x 1540 FLAMMABLES + 590 x 500 x 880 x 2 (ACIDS + BASES)	ACIDS: 2 powder coated metal shelves BASES: 2 stainless steel shelves FLAMMABLES: 3 powder coated metal shelves + 1 bottom sump with steel grid	310
<b>CS342MY11</b>	COMBISTORAGE 4 solid doors compartments	1200 x 600 x 1950	496 x 446 x 1540 FLAMMABLES + 3 x 590 x 500 x 580 (ACIDS + BASES + TOXICS)	ACIDS: 2 powder coated metal shelves BASES: 2 stainless steel shelves TOXICS: 2 powder coated metal shelves FLAMMABLES: 3 powder coated metal shelves + 1 bottom sump with steel grid	313
<b>CS344MY11</b>	COMBISTORAGE 4 glass doors compartments	1200 x 600 x 1950	496 x 446 x 1540 FLAMMABLES + 3 x 590 x 500 x 580 (ACIDS + BASES + TOXICS)	ACIDS: 2 powder coated metal shelves BASES: 2 stainless steel shelves TOXICS: 2 powder coated metal shelves FLAMMABLES: 3 powder coated metal shelves + 1 bottom sump with steel grid	315

Standard colour: Grey RAL 7035. Add "Y" to the code for yellow RAL 1021 safety cabinet.

## COMBISTORAGE 120 IC FIRE TYPE 90



Combined safety cabinet certified 90 minutes for the storage of FLAMMABLE products, CHEMICALS, ACIDS and BASES.



CODE	COMBISTORAGE 120 IC, 120 IAB, 120 IABT SHELVES	EXTERNAL DIMENSIONS - L x P x H mm
<b>RIP60VMY11</b>	Powder coated metal shelf for FLAMMABLES 60	490 x 420 x 30
<b>RIP60MY11</b>	Stainless steel shelf for FLAMMABLES 60	490 x 420 x 30
<b>CSF85P</b>	Stainless steel shelf for BASES	536 x 420 x 39
<b>CSF45P</b>	Powder coated shelf for ACIDS and TOXICS	536 x 420 x 39

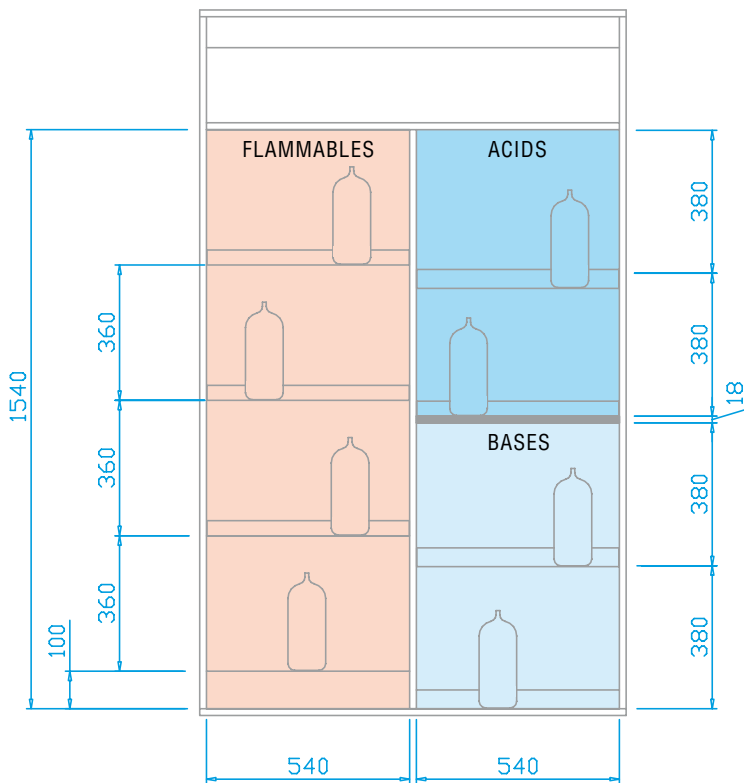
CODE	DESCRIPTION	EXTERNAL DIMENSIONS L x P x H mm	INTERNAL DIMENSIONS L x P x H mm	SHELVES - QUANTITY AND FINISH	WEIGHT Kg
<b>CSF232/2C</b>	COMBISTORAGE 120 IC FIRE TYPE 90	1200 x 600 x 1950	1090 x 446 x 1540	FLAMMABLES: 3 powder coated metal shelves + 1 bottom sump with steel grid ACIDS / BASES: 3 powder coated metal shelves	378
<b>CSF232/3C</b>	COMBISTORAGE 120 IAB FIRE TYPE 90	1200 x 600 x 1950	1090 x 446 x 1540	FLAMMABLES: 3 powder coated metal shelves + 1 bottom sump with steel grid ACIDS: 2 powder coated metal shelves BASES: 2 stainless steel shelves	378
<b>CSF232/4C</b>	COMBISTORAGE 120 IABT FIRE TYPE 90	1200 x 600 x 1950	1090 x 446 x 1540	FLAMMABLES: 3 powder coated metal shelves + 1 bottom sump with steel grid ACIDS: 2 powder coated metal shelves BASES: 2 stainless steel shelves TOXICS: 1 powder coated metal shelf	378

Standard colour: Grey RAL 7035. Add "Y" to the code for yellow RAL 1021 safety cabinet.

## COMBISTORAGE 120 IAB FIRE TYPE 90



Combined safety cabinet certified 90 minutes for the storage of FLAMMABLE products, CHEMICALS, ACIDS and BASES.



CSF232/3C

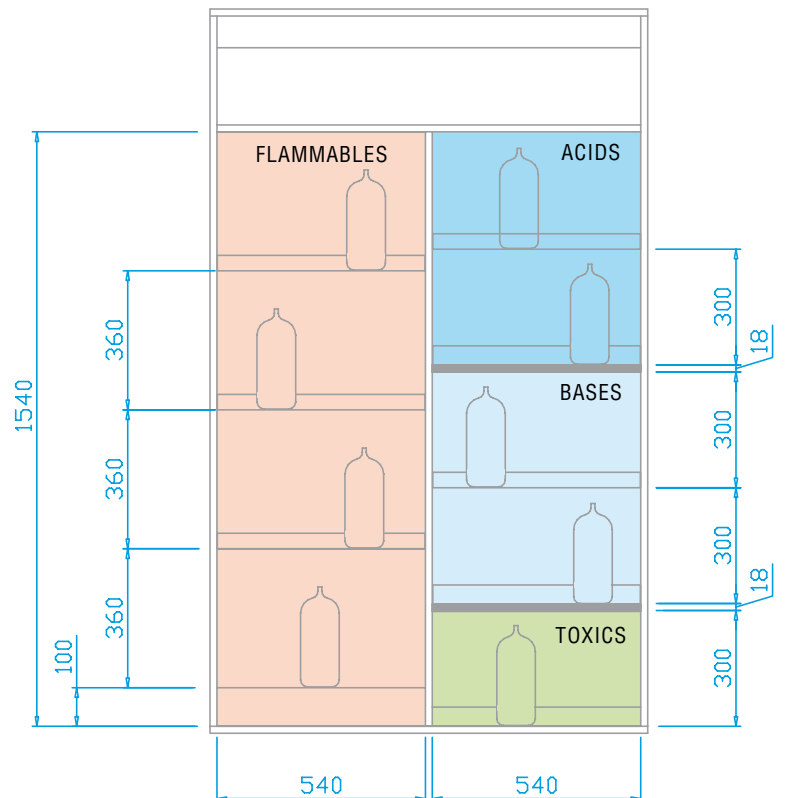
## COMBISTORAGE 120 IABT FIRE TYPE 90



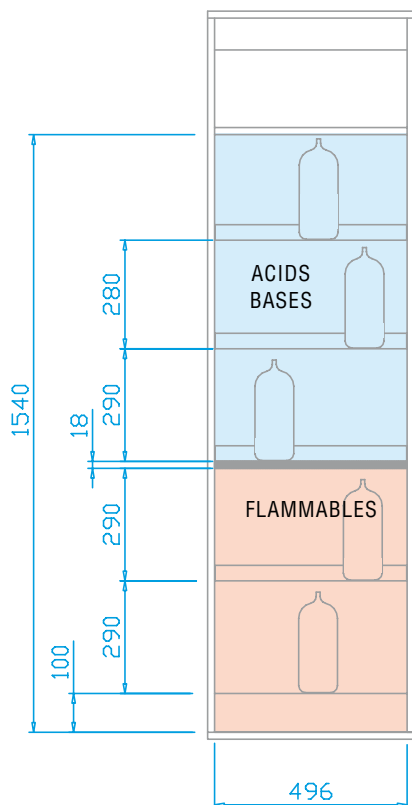
Combined safety cabinet certified 90 minutes for the storage of FLAMMABLE products, CHEMICALS, ACIDS, BASES and TOXICS.



CSF232/4C



## COMBISTORAGE 60 IC FIRE TYPE 90



CSF239/2C

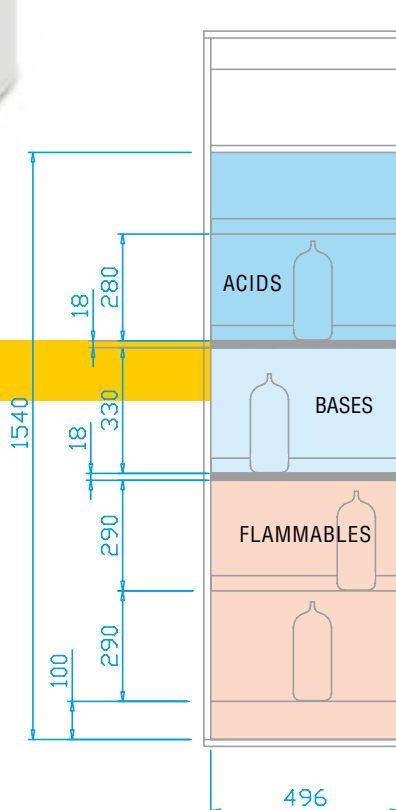
Combined safety cabinet certified 90 minutes for the storage of FLAMMABLE products and CHEMICALS.

CODE	COMBISTORAGE 60 IC, 60 IAB SHELVES	EXTERNAL DIMENSIONS L x P x H mm
RIP60VMY11	Powder coated metal shelf for FLAMMABLES 60	490 x 420 x 30
RIP60MY11	Stainless steel shelf for FLAMMABLES 60	490 x 420 x 30
CSF85P	Stainless steel shelf for BASES	536 x 420 x 39
CSF45P	Powder coated shelf for ACIDS and TOXICS	536 x 420 x 39

## COMBISTORAGE 60 IAB FIRE TYPE 90



Combined safety cabinet certified 90 minutes for the storage of FLAMMABLE products and CHEMICALS, ACIDS and BASES.



CSF239/3C

CODE	DESCRIPTION	EXTERNAL DIMENSIONS L x P x H mm	INTERNAL DIMENSIONS L x P x H mm	SHELVES - QUANTITY AND FINISH	WEIGHT Kg
CSF239/2C	COMBISTORAGE 60 IC FIRE TYPE 90	595 x 600 x 1950	496 x 446 x 1540	FLAMMABLES: 1 powder coated metal shelf + 1 bottom sump with steel grid ACIDS / BASES: 3 powder coated metal shelves	230
CSF239/3C	COMBISTORAGE 60 IAB FIRE TYPE 90: FLAMMABLE 60 x 60 x 200 H + ACIDS + BASES	595 x 600 x 1950	496 x 446 x 1540	FLAMMABLES: 1 powder coated metal shelf + 1 bottom sump with steel grid ACIDS: 2 powder coated metal shelves BASES: 1 stainless steel shelf	232

Standard colour: Grey RAL 7035. Add "Y" to the code for yellow RAL 1021 safety cabinet.

## VENTILATION SYSTEMS AND EXHAUST



CSF100ABPMY11



DIAM125BP

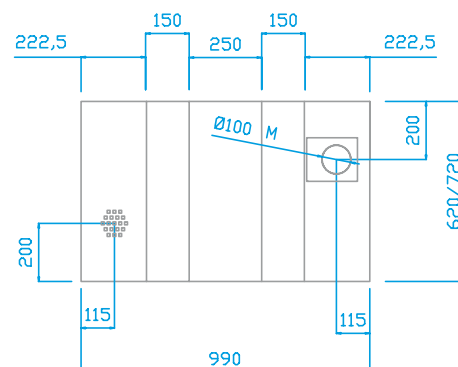
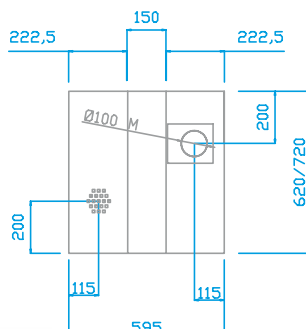
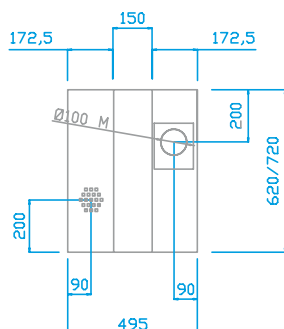
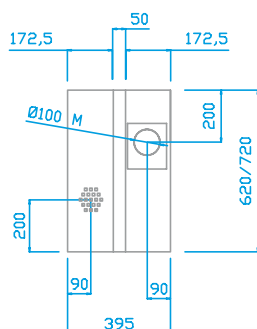


CSF120MY11

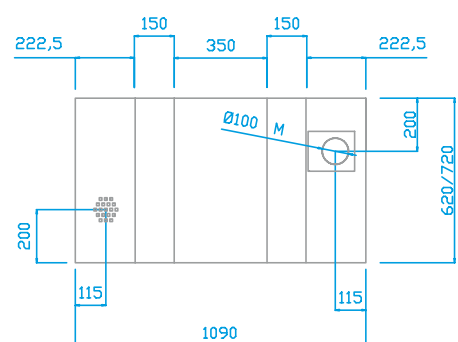


CFN

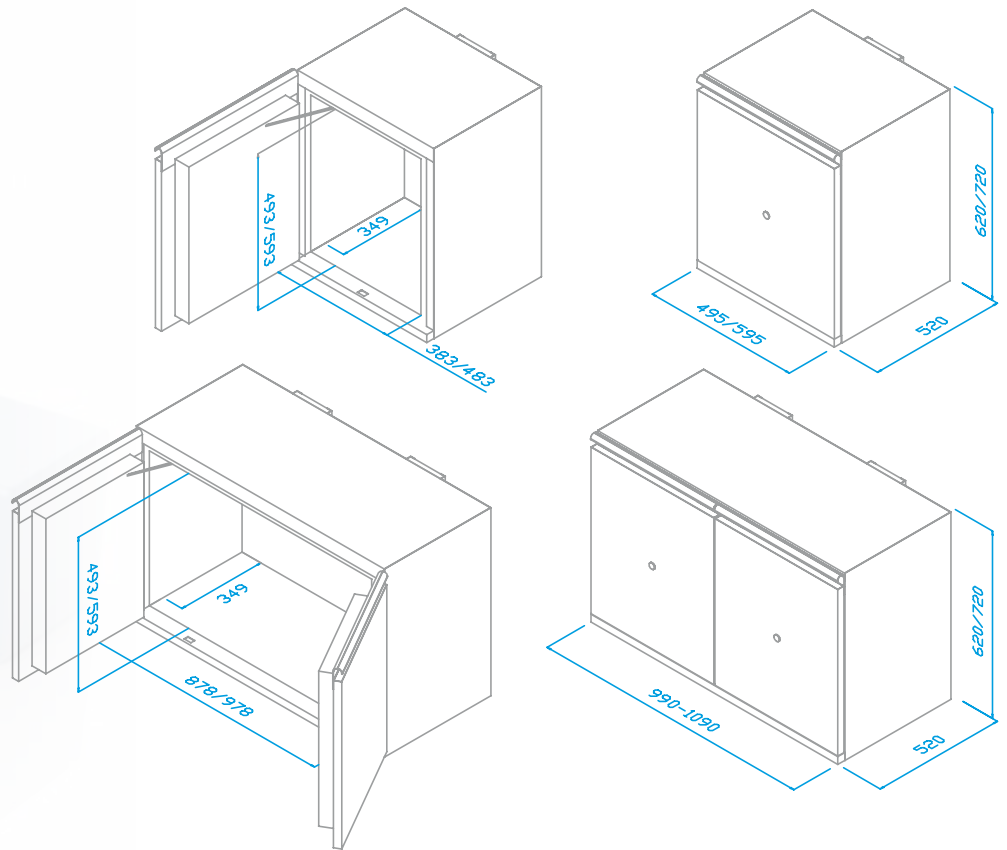
CODE	DESCRIPTION	DIMENSIONS L x P x H mm
DIAM125BP	NON-SPARKING EXTRACTION SYSTEM in metal box ON / OFF fuses power cable, filter box	290 x 290 x 270
CSF100ABPMY11	ATEX extraction system in metal box ON / OFF fuses power cable, filter box	270 x 260 x 430
F100	ADAPTATOR SQUARE/round for CSF100BPMY11 and CSF100ABPMY11 for UNDERBENCH	
CS125/100	KIT VENTILATION FOR UNDERBENCH ACIDS AND BASES ON / OFF fuses power cable 220 V - 50 Hz - 13 W - 36 dB - 105 m <sup>3</sup> /h - 28 Pa - Ø 100 mm	
CSF120MY11	CSF120MY11 ventilation unit for COMBISTORAGE 3C and 4C	1200 x 500 x 300
CFN	EXHAUST FILTER/fan module according to NFX 15-211 norm (Filter not included)	550 x 500 x 200
ADMY11CFN	ADAPTATOR for CFN models 3C and 4C	850 x 500 x 80
ADCFNMY11	ADAPTATOR for CFN models COMBI IC, IAB, ABT	600 x 500 x 80
CSAS	CARBON FILTER for SOLVENTS ( CFN )	510 x 400 x 60
CSBE	CARBON FILTER for ACIDS ( CFN )	510 x 400 x 60
CSMP	CARBON FILTER for ACIDS and SOLVENTS ( CFN )	510 x 400 x 60
CSPF	PREFILTER ( Spare part CFN )	
RSOL	CARBON FILTER for CSF100BPMY11	245 x 110 x 20
KIT2A	KIT PIPE to CONNECT 2 CABINETS	
KIT3A	KIT PIPE to CONNECT 3 CABINETS	
AC510	FLEXIBLE PVC PIPE diam. 102 mm complete with 2 CLAMPS	



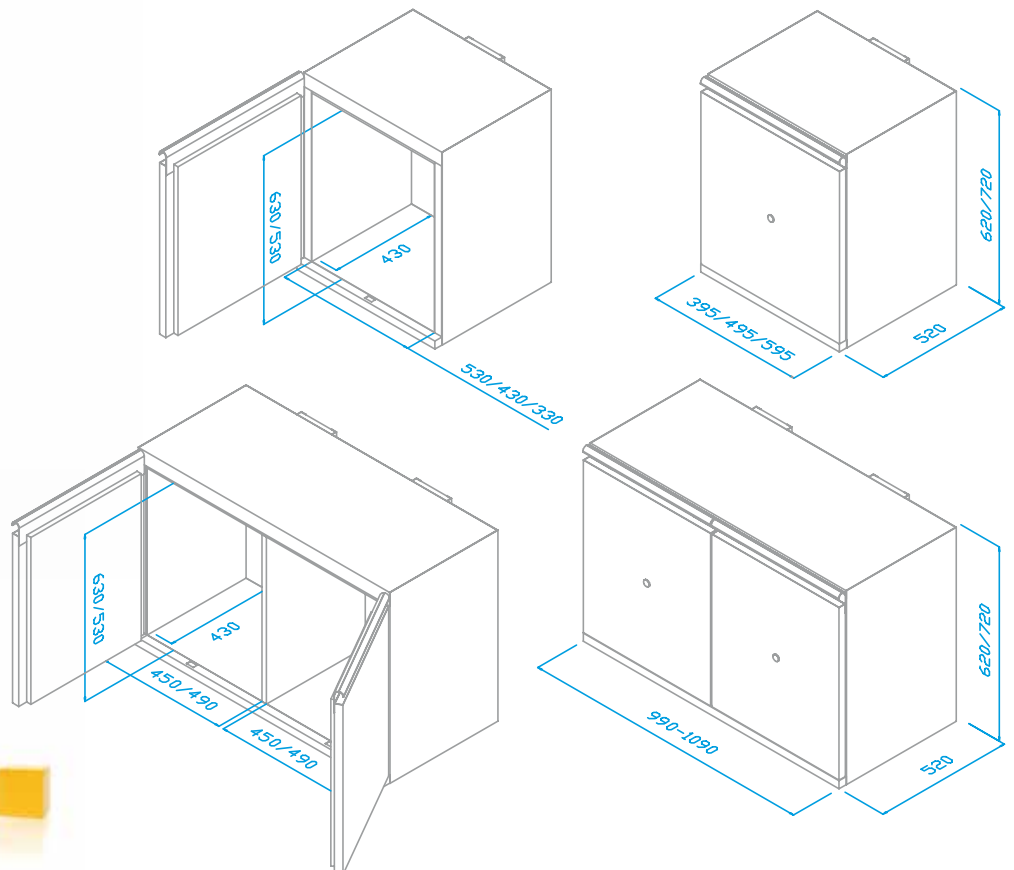
- 1 New closing system which allows to keep the doors open in any position. Automatic door closing in case the ambient temperature exceeds 50 °C.
- 2 Ventilation system diam. 100 mm.



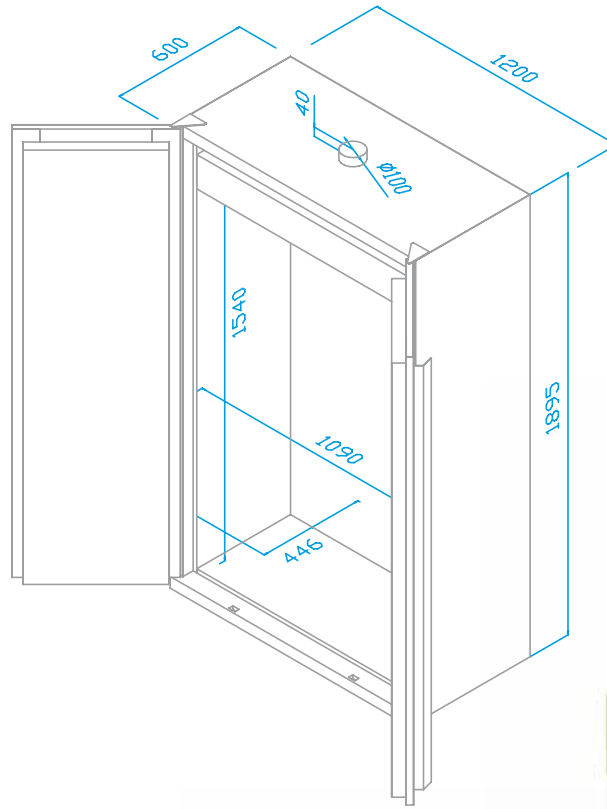
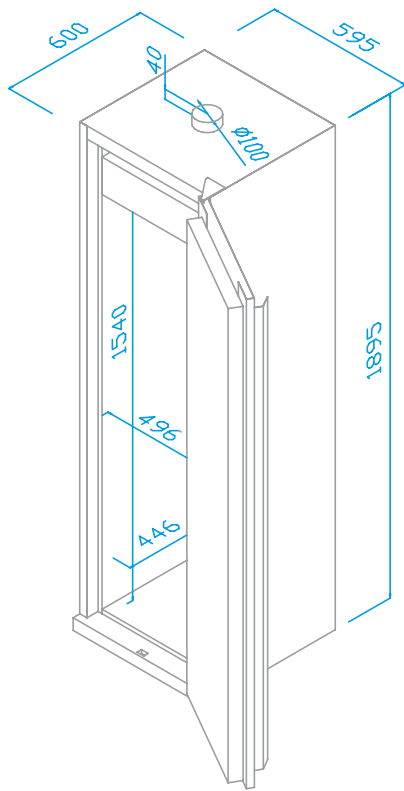
## COMBISTORAGE UNDERBENCH FIRE TYPE 90



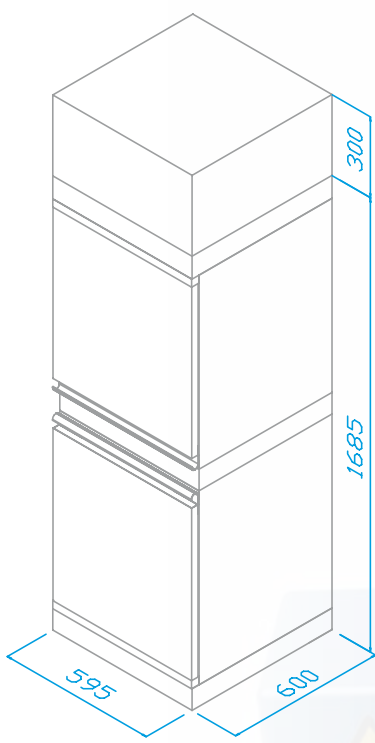
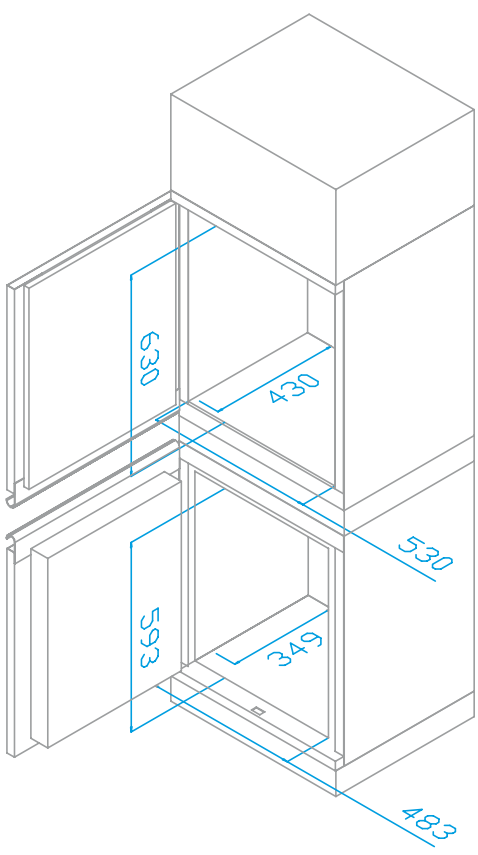
## COMBISTORAGE CHEMICALS UNDERBENCH



**COMBISTORAGE 60 and 120**



**COMBISTORAGE 2**



# CHEMISAFE®

SAFETY STORAGE CABINETS

## COMBISTORAGE

COMBINED SAFETY STORAGE CABINETS  
CERTIFIED FOR HAZARDOUS PRODUCTS



Authorized dealer: