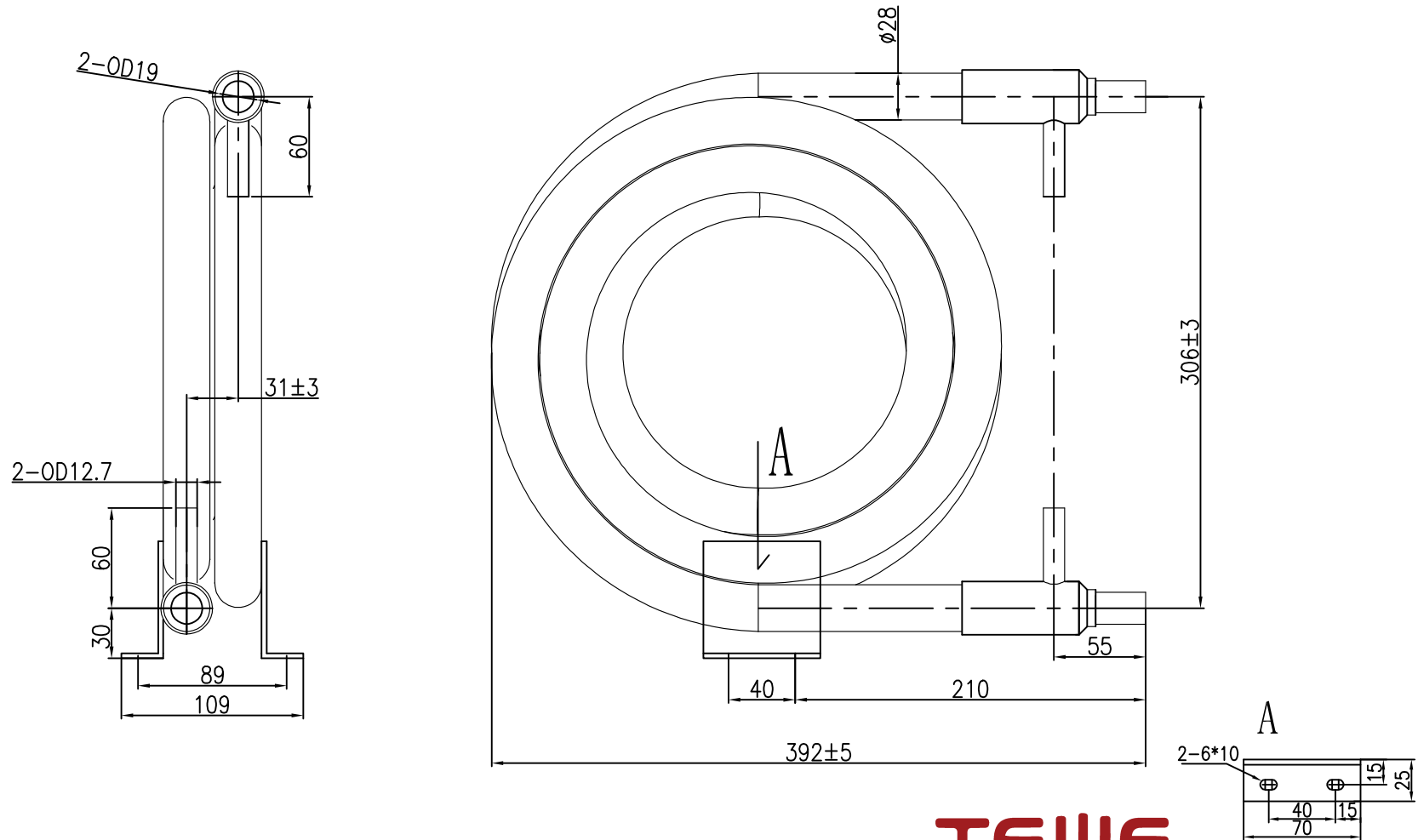


CSSW2403100



**ΤΕΨΕ**  
**ΨΥΚΤΙΚΑ**

**ΚΩΔΙΚΟΣ ΕΙΔΟΥΣ:**  
**04-290-5827**

Technical specifications:

1. Inner tube and outer tube should be cleaned so that ensure the surface of the inner and outer tube to be clean without impurities;
2. All welded place should be well welded. Any defect on small holes and leaks is unacceptable.
3. Heat exchanger is black painted except 25 ±5mm cylinder from connections end.
4. Each end connection should be sealed by a plastic cap or welding.
5. Fill 0.05-0.12Mpa nitrogen gas at refrigerant side, the pressure is maintained ;
6. Any non-indicated dimensions and tolerances are subject to GB/T1804 V degree.
7. Other non-indicated requirements are subject to 《Q/HSS 001-2014》 .

Design data sheet							Coaxial Heat Exchanger				
Item	Tube side	Shell side					Inner tube : Copper Outer tube: Steel				
Medium	Water	R410a					SS-0240GT-W				
Design temp °C	65	100	Mark	No.	Modify documents No.	Sign	Date	28-3110/392/337/60/2-K φ16			
Design pressure MPa	1.5	4.2	Design		Standard			Drawing mark	Weight	Scale	
Insulation	/	/	Check		Authorize						
Customer drawing No.	/	/	Approve								CSSW2403100
Customer Item No.	/	/	Process		Date			Total Page	Page		